



SAFE & VAULT MANUFACTURERS

BLISTER WALL MOUNT PLATE

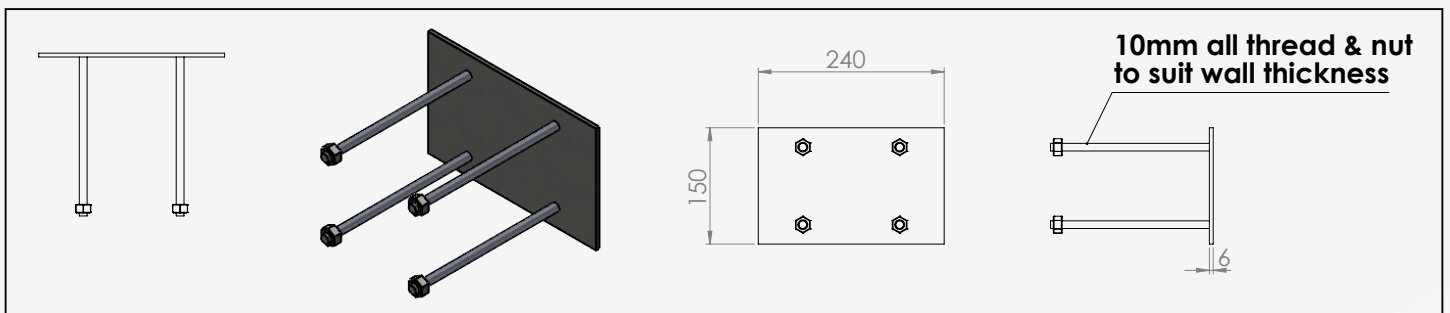
Model	Width mm	Depth mm
WALLPLATE-G-KC1	240	150



FEATURES

- 10mm all thread and nut to suit wall thickness.

MODEL WALLPLATE-G-KC1



Accessory to be used with the SCEC-approved G-KC1 Safe.
Installation of the GKC-1 is in accordance with working note 1-84.



THIS CMI SAFE ACCESSORY COMES WITH A FIVE YEAR WARRANTY, EXCLUDING FREIGHT AND TRAVELLING.



CMI Safe Co
ABN | 35 664 874 766

☎ 02 9547 1488
✉ sales@cmisafe.com.au

📍 244 West St | Carlton | NSW | 2218
🌐 www.cmisafe.com.au



MADE IN AUSTRALIA

CD DZ 00354 270526