



SAFE & VAULT MANUFACTURERS



**STRONGROOM  
DOOR & FRAME**

**TDR TORCH & DRILL RESISTING**



MODEL  
G-CRD4A



**TDR torch  
and drill  
resisting**



**MADE IN AUSTRALIA**



# STRONGROOM DOOR & FRAME

TDR TORCH & DRILL RESISTING

SAFE & VAULT MANUFACTURERS

MODEL  
G-CRD4A



## FEATURES

- Dual doubled yoked KABA X10 locks.
- Overall door thickness of 180mm including a slab section of 55mm combining a lamination of alloy and refractory material to resist oxy acetylene and drill attack.
- Emergency internal release mechanism fitted as standard.
- Glass activated deadlocking relocking devices are provided within the door as standard.

## RESISTING TO

- **Oxy-Acetylene attack**
- **Explosives and force**
- **Drills and abrasive grinders**
- **Pneumatic tools**
- **Hydraulic tools**



Model	Clear Door Opening		Clear Masonry Opening Required		Weight
	Height mm	Width mm	Height mm	Width mm	
<b>G-CRD4A</b>	1980	860	2060	1030	990kg

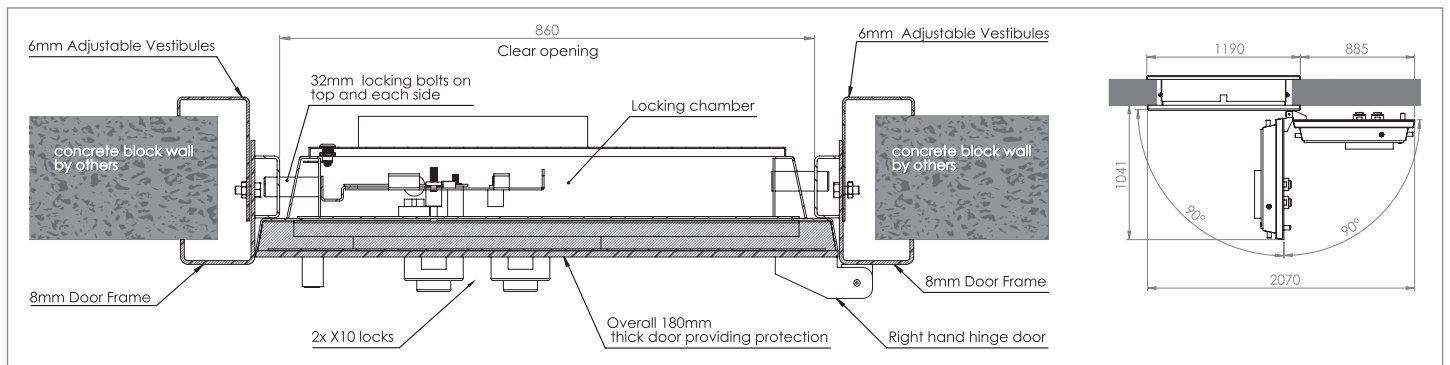
When ordering state if left or right hand hinging required and existing wall thickness.



**Class A SCEC Strongroom Door and Frame designed to be fire resisting for one hour**



**ALL CMI SAFES COME WITH A FIVE YEAR WARRANTY, EXCLUDING FREIGHT AND TRAVELLING, WITH A 24 MONTH WARRANTY ON LOCKS.**



CMI Safe Co  
ABN | 35 664 874 766

☎ 02 9547 1488  
✉ sales@cmisafe.com.au

📍 244 West St | Carlton | NSW | 2218  
🌐 www.cmisafe.com.au



**MADE IN AUSTRALIA**

CD DZ 00308 130326