



SAFE & VAULT MANUFACTURERS



KEY CUSTODY SAFE

WITH KABA X10 DIGITAL LOCK



MODEL G-KC1

Model	Height mm		Width mm		Depth mm		Weight
	External	Internal	External	Internal	External	Internal	
G-KC1	160	150	260	250	150	92	17kg

IMPORTANT Allow 55mm projection for lock dial on depth measurement.



Class B SCEC Key Custody Safe has **NIL fire resistance**

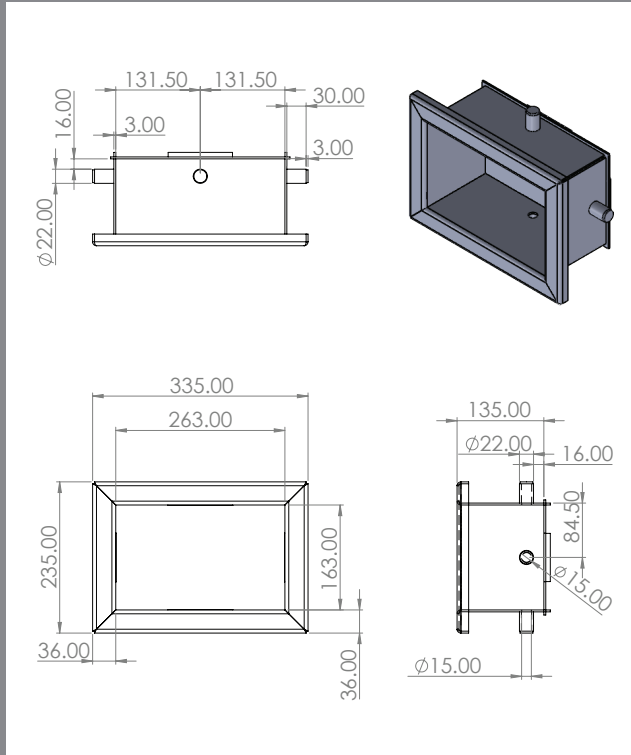


ALL CMI SAFES COME WITH A FIVE YEAR WARRANTY, EXCLUDING FREIGHT AND TRAVELLING, WITH A 24 MONTH WARRANTY ON LOCKS.



MADE IN AUSTRALIA

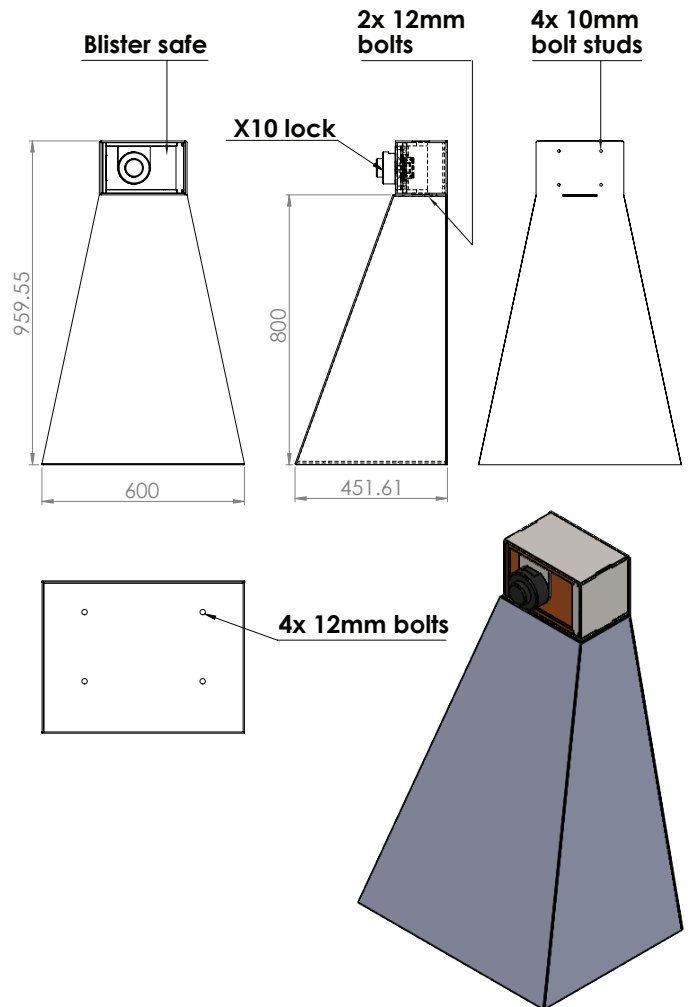
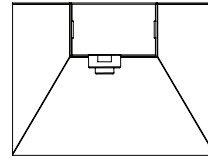
BLISTER SLEEVE



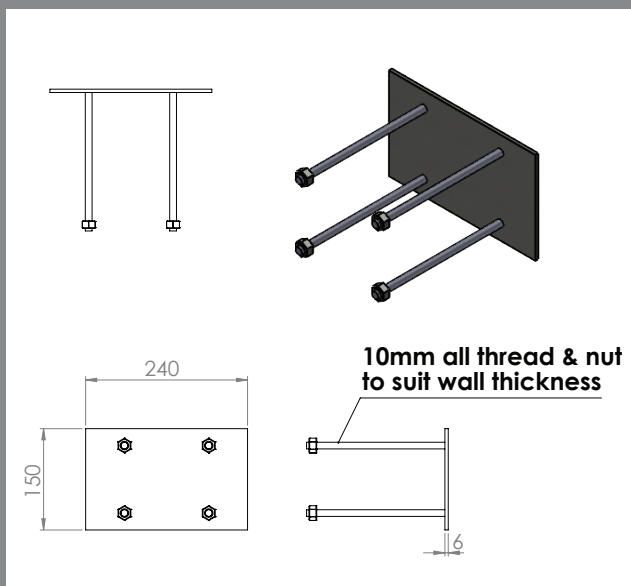
BLISTER STAND

Note :

- Stand 800mm(H) secured by 4x 12mm bolts to floor
- Blister secured by 4x 10mm stud and nuts back of safe and 2x 12mm bolts in base



BLISTER WALL MOUNT PLATE



Accessory to be used with the SCEC-approved G-KC1 Safe. Installation of the G-KC1 is in accordance with working note 1-84.

CMI Safe Co
ABN | 35 664 874 766

☎ 02 9547 1488
✉ sales@cmisafe.com.au

📍 244 West St | Carlton | NSW | 2218
🌐 www.cmisafe.com.au



MADE IN AUSTRALIA

CD DZ 00303 130326