



SAFE & VAULT MANUFACTURERS

COMMANDER BANKERS SAFE

EQUIVALENT TO  USA: UL TRTL-30 x 60  EU: ABIS GRADE 5



Commander Banker Safe suggested insurable cash rating in unsupported (no alarms) situation is **\$1,000,000.**



Commander Banker Safe designed to be **fire resisting for one hour**

MODEL CR10-B



MADE IN AUSTRALIA



SAFE & VAULT MANUFACTURERS

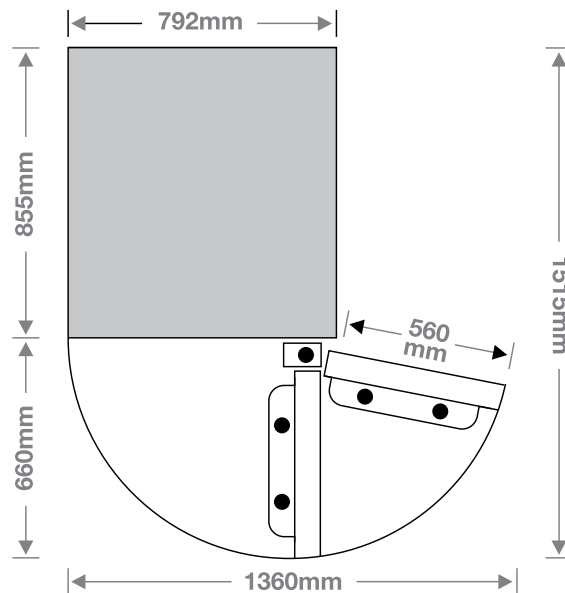
COMMANDER BANKERS SAFE

EQUIVALENT TO USA: UL TRTL-30 x 60 EU: ABIS GRADE 5

MODEL CR10-B

FEATURES

- Commander Bankers Safes are resisting to all known forms of attack.
- The safe body and door provide a monolithic barrier for resisting thermic attack, explosives, drills and cutting tools.
- The 38mm full through boltwork secures the safe at 14 points all activated by 32mm cam throw mechanism with multiple glass activated dead locking devices.
- Two four wheel S&G combination locks with anti drive collars and dial check locks are standard.
- 2 x 20mm recessed bolt holes are provided in base.
- CMI CR10-B comes with 6 x 250mm high dual key lockable cupboards as standard fittings.



Model	Height mm		Width mm		Depth mm		Body Weight	Door Weight	Capacity Litres
	External	Internal	External	Internal	External	Internal			
CR10-B	1870	1675	792	585	855	550	1610kg	490kg	539

IMPORTANT

Allow 55mm projection for handle on depth measurement.



ALL CMI SAFES COME WITH A FIVE YEAR WARRANTY, EXCLUDING FREIGHT AND TRAVELLING, WITH A 24 MONTH WARRANTY ON LOCKS.

CMI Safe Co

ABN | 35 664 874 766

02 9547 1488

sales@cmisafe.com.au

244 West St | Carlton | NSW | 2218

www.cmisafe.com.au



MADE IN AUSTRALIA

CD DZ 00317 081124