



SAFE & VAULT MANUFACTURERS

COMMERCE STRONGROOM DOOR AND FRAME

EXPLOSIVE, DRILL AND FORCE RESISTING

EQUIVALENT TO  USA: UL TL-30  EU: ABIS GRADE 2



MODEL CD4



**EDF explosive,
drill and force
resisting**



Commerce Strongroom Door and Frame suggested insurable cash rating in unsupported (no alarms) situation is **\$80,000.**



MADE IN AUSTRALIA



SAFE & VAULT MANUFACTURERS

COMMERCE STRONGROOM DOOR AND FRAME

EXPLOSIVE, DRILL AND FORCE RESISTING

EQUIVALENT TO USA: UL TL-30 EU: ABIS GRADE 2

DOOR: Total thickness 85mm. The "Commerce" door provides a 10mm steel front section supported by drill-resisting hardened plate over all vital lock areas with glass operated relocking devices.

BOLTWORK: Heavy 32mm diameter bolts of high grade steel provide three-way locking behind the specially strengthened lock bar chamber sections at front and rear top edges of the door.

FRAME: Heavy steel 6mm x 120mm wide frame with threshold plate at bottom.

HINGES: Adjustable heavy duty with hardened pins on ball bearing axis (pre-lubricated).

LOCKS: Available with key, dial combination or digital locking at no extra cost. Also available with dual locking if required at additional cost.

FIRE RESISTING: Fire pan fitted to rear of door with approved high fire resisting compound.

- Internal release mechanism standard.
- Door may be ordered with either left or right hand hinging.
- Door is manufactured to standard below size. Custom size available upon request.
- Digital combination, duress and time delay locks may be fitted as an optional extra.

RESISTING TO

- Oxy-Acetylene attack
- Explosives and force
- Drills and abrasive grinders
- Pneumatic tools
- Hydraulic tools



MODEL CD4

Model	Clear Door Opening at 180°		Clear Masonry Opening Required		Weight
	Height mm	Width mm	Height mm	Width mm	
CD4	1980	860	2060	1020	410kg

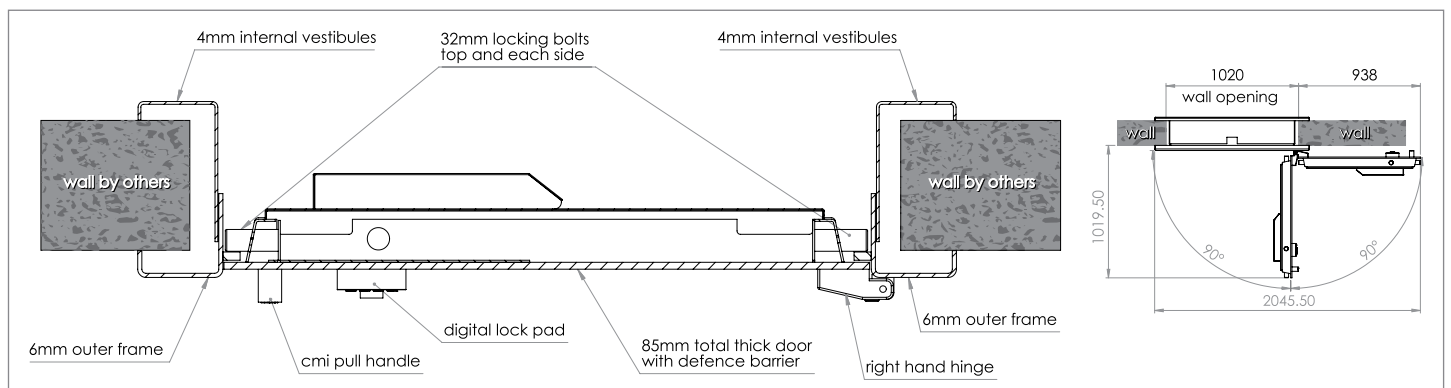
When ordering state if left or right hand hinging required and existing wall thickness.



ALL CMI SAFES COME WITH A FIVE YEAR WARRANTY, EXCLUDING FREIGHT AND TRAVELLING, WITH A 24 MONTH WARRANTY ON LOCKS.



Commerce Strongroom Door & Frame designed to be **fire resisting**



CMI Safe Co

ABN | 35 664 874 766

02 9547 1488

sales@cmisafe.com.au

244 West St | Carlton | NSW | 2218

www.cmisafe.com.au



MADE IN AUSTRALIA

CD DZ 00320 101124