



SAFE & VAULT MANUFACTURERS

PREMIER STRONGROOM DOOR AND FRAME

TDR TORCH & DRILL RESISTING

EQUIVALENT TO USA: UL TRTL-60 EU: ABIS GRADE 4



TDR torch and drill resisting



Premier Strongroom Door and Frame suggested insurable cash rating in unsupported (no alarms) situation is **\$250,000.**

MODEL PRD4



MADE IN AUSTRALIA



SAFE & VAULT MANUFACTURERS

PREMIER STRONGROOM DOOR AND FRAME

TDR TORCH & DRILL RESISTING

EQUIVALENT TO USA: UL TRTL-60 EU: ABIS GRADE 4

DOOR: Overall door thickness of 135mm including a slab section of 55mm combining a lamination of alloy and refractory material to resist oxy acetylene and drill attack.

HINGING: Available in standard right hand or optional left hand hinging.

RE-LOCKER: Glass activated deadlocking re-locking devices are provided within the door as standard.

LOCKS: All models available with key, dial combination or digital locking at no extra cost. Also available with dual locking if required at additional cost.

SECURITY: Any chosen electronic or duress alarm system can be added to the door if required.

RESISTING TO

- Oxy-Acetylene attack
- Explosives and force
- Drills and abrasive grinders
- Pneumatic tools
- Hydraulic tools



MODEL PRD4



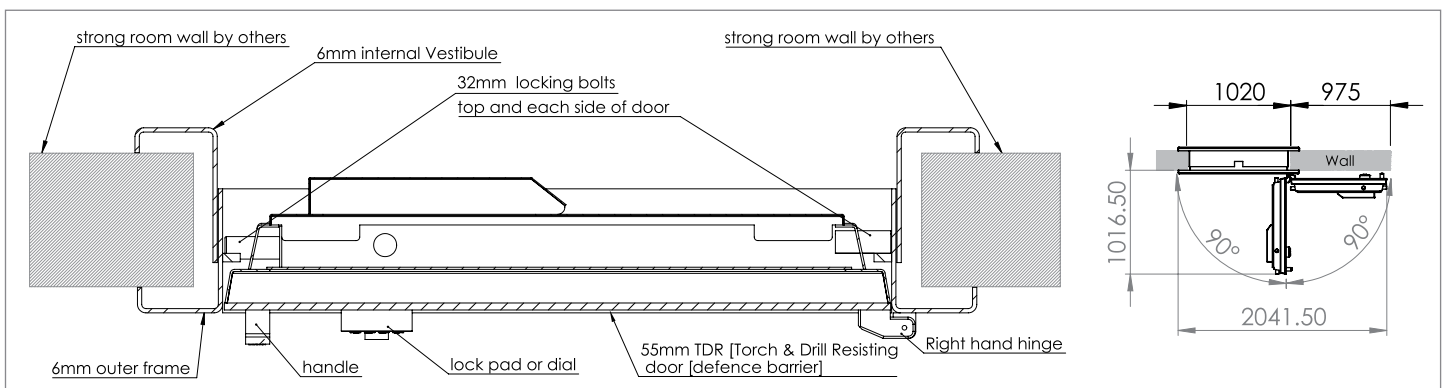
Premier Strongroom Door & Frame TDR designed to be fire resisting

Model	Clear Door Opening at 180°		Clear Masonry Opening Required		Weight
	Height mm	Width mm	Height mm	Width mm	
PRD4	1980	880	2060	1020	680kg

When ordering state if left or right hand hinging required and existing wall thickness.



ALL CMI SAFES COME WITH A FIVE YEAR WARRANTY, EXCLUDING FREIGHT AND TRAVELLING, WITH A 24 MONTH WARRANTY ON LOCKS.



CMI Safe Co
ABN | 35 664 874 766

02 9547 1488
 sales@cmisafe.com.au

244 West St | Carlton | NSW | 2218
 www.cmisafe.com.au



MADE IN AUSTRALIA

CD DZ 00320 101124