



SAFE & VAULT MANUFACTURERS

# COMMANDER STRONGROOM DOOR AND FRAME

TDR TORCH & DRILL RESISTING

EQUIVALENT TO  USA: UL TRTL-30 x 60  EU: ABIS GRADE 5



**TDR torch and drill resisting**



Commander Strongroom Door and Frame suggested insurable cash rating in unsupported (no alarms) situation is **\$450,000.**

MODEL CRD4



**MADE IN AUSTRALIA**



SAFE & VAULT MANUFACTURERS

# COMMANDER STRONGROOM DOOR AND FRAME

TDR TORCH & DRILL RESISTING

EQUIVALENT TO USA: UL TRTL-30 x 60 EU: ABIS GRADE 5

## FEATURES

- Glass activated relocking devices are provided within the door as standard.
- Each lock can be used independently from the other.
- Any chosen electronic or duress alarm system can be added to the door if required.
- Overall door thickness of 180mm including a slab section of 100mm combining a lamination of alloy and

refractory material to resist oxy acetylene and drill attack.

- Emergency internal release mechanism fitted as standard.
- **LOCKING:** Available with key, dial combination or digital locking at no extra cost.

## RESISTING TO

- **Oxy-Acetylene attack**
- **Explosives and force**
- **Drills and abrasive grinders**
- **Pneumatic tools**
- **Hydraulic tools**



MODEL CRD4

Model	Clear Door Opening		Clear Masonry Opening Required		Weight
	Height mm	Width mm	Height mm	Width mm	
<b>CRD4</b>	1980	860	2080	1030	1315kg

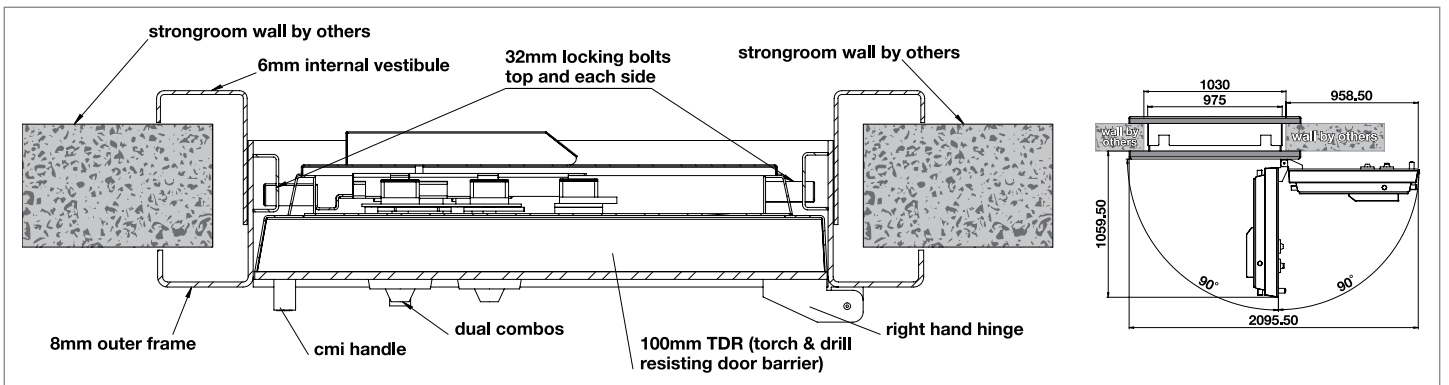
When ordering state if left or right hand hinging required and existing wall thickness.



**ALL CMI SAFES COME WITH A FIVE YEAR WARRANTY, EXCLUDING FREIGHT AND TRAVELLING, WITH A 24 MONTH WARRANTY ON LOCKS.**



**Commander Strongroom Door & Frame designed to be fire resisting**



CMI Safe Co

ABN | 35 664 874 766

02 9547 1488

sales@cmisafe.com.au

244 West St | Carlton | NSW | 2218

www.cmisafe.com.au



# MADE IN AUSTRALIA

CD DZ 00318 081124