



SAFE & VAULT MANUFACTURERS



KEY CUSTODY SAFE

WITH KABA X10 DIGITAL LOCK



MODEL GKCI

Model	Height mm		Width mm		Depth mm		Weight
	External	Internal	External	Internal	External	Internal	
GKCI	160	130	250	230	150	82	15kg

IMPORTANT Allow 50mm projection for handle on depth measurement.



ALL CMI SAFES COME WITH A FIVE YEAR WARRANTY, EXCLUDING FREIGHT AND TRAVELLING, WITH A 24 MONTH WARRANTY ON LOCKS.

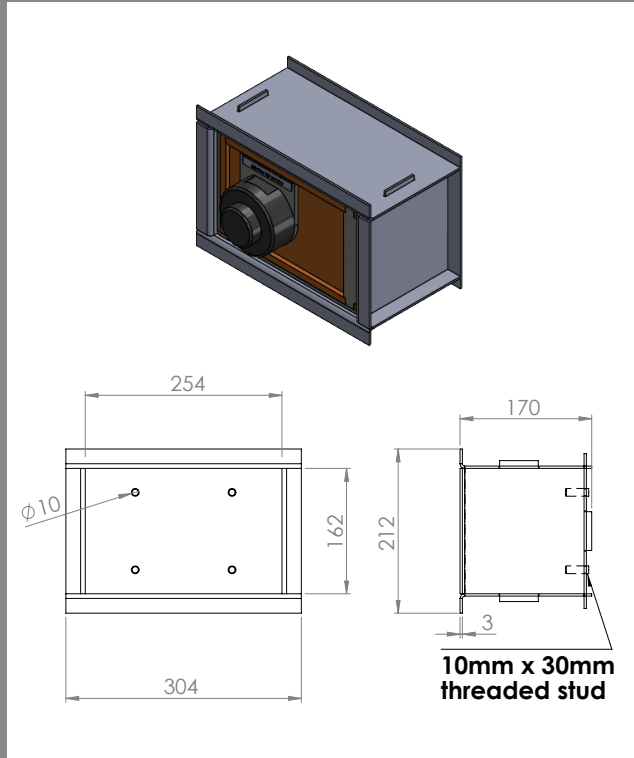


Class B SCEC Key Custody Safe has **NIL** fire resistance

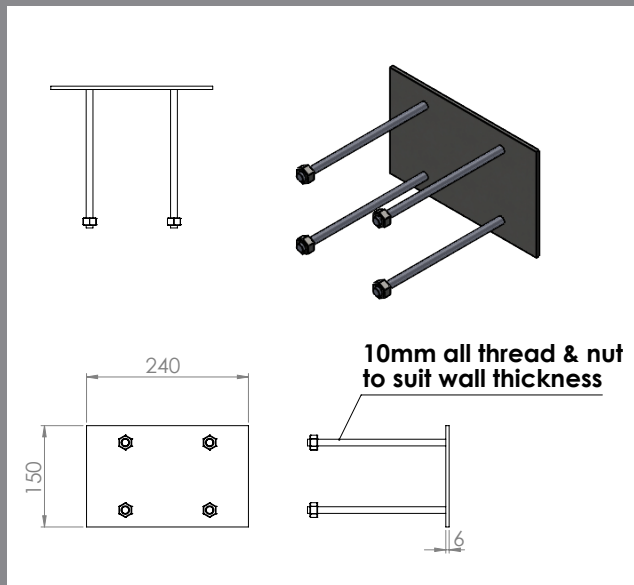


MADE IN AUSTRALIA

BLISTER SLEEVE



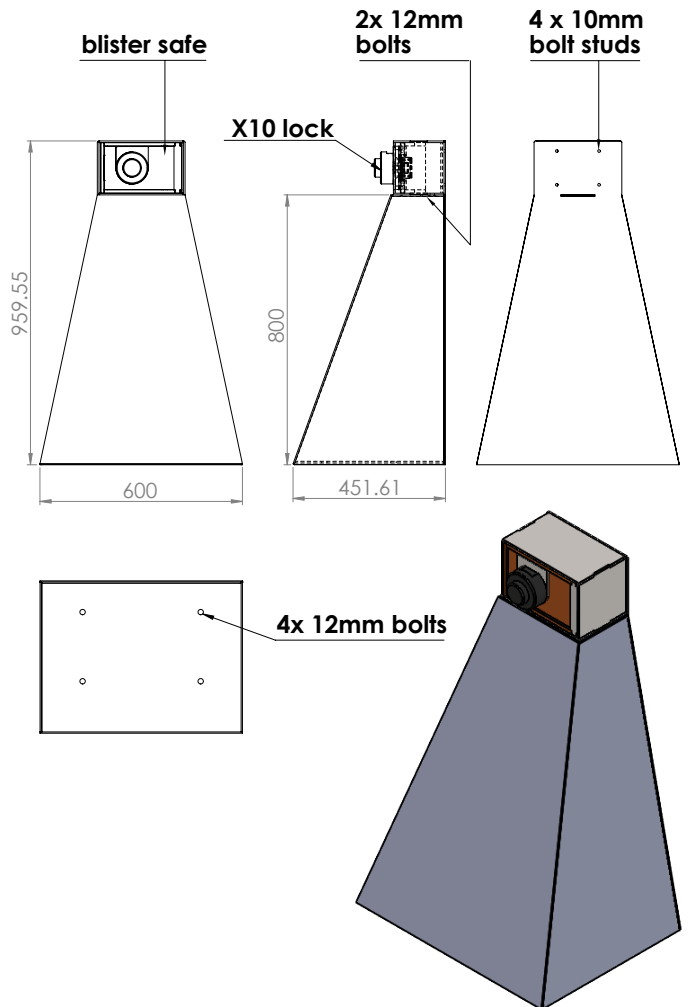
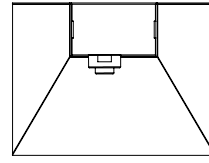
BLISTER WALL MOUNT PLATE



BLISTER STAND

Note :

- Stand 800mm(H) secured by 4x 12mm bolts to floor
- Blister secured by 4x 10mm stud and nuts back of safe and 2 x12mm bolts in base



CMI Safe Co
ABN | 35 664 874 766

☎ 02 9547 1488
✉ sales@cmisafe.com.au

📍 244 West St | Carlton | NSW | 2218
🌐 www.cmisafe.com.au



MADE IN AUSTRALIA

CD DZ 00303 191024