

CLASS 'A' **SCEC**
APPROVED

STRONGROOM DOOR & FRAME



FOR THE
**SECURITY
CONSCIOUS**



TDR
**TORCH
& DRILL
RESISTING**



■ **MODEL G-CRD4A**



MADE IN AUSTRALIA



STRONGROOM DOOR & FRAME

ALL CMI SAFES COME WITH A FIVE YEAR WARRANTY, EXCLUDING FREIGHT AND TRAVELLING, WITH A 24 MONTH WARRANTY ON LOCKS.

FEATURES

- Dual doubled yoked KABA X10 locks.
- Overall door thickness of 180mm including a slab section of 55mm combining a lamination of alloy and refractory material to resist oxy acetylene and drill attack.
- Emergency internal release mechanism fitted as standard.
- Glass activated deadlocking relocking devices are provided within the door as standard.

RESISTING TO



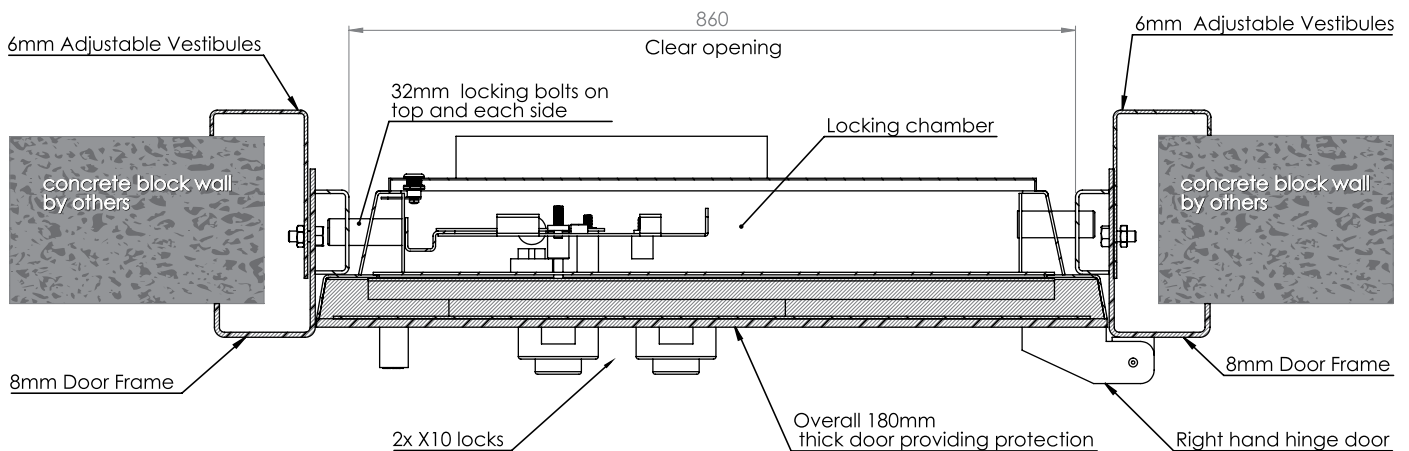
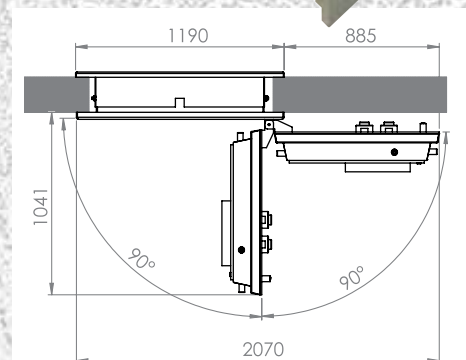
- **Oxy-Acetylene attack**
- **Explosives and force**
- **Drills and abrasive grinders**
- **Pneumatic tools**
- **Hydraulic tools**



CLASS 'A' STRONGROOM DOOR AND FRAME DESIGNED TO BE FIRE RESISTING FOR ONE HOUR



MODEL G-CRD4A

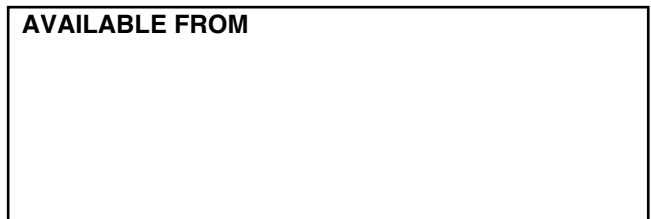


MODEL	PRICE INCL. GST	CLEAR DOOR OPENING		CLEAR MASONRY OPENING REQUIRED		WEIGHT	DELIVERY & INSTALLATION LEVEL ACCESS INCL. GST
		HEIGHT	WIDTH	HEIGHT	WIDTH		
G-CRD4A	\$	1980 mm	860 mm	2060 mm	1030 mm	990kg	\$

WHEN ORDERING PLEASE STATE IF LEFT OR RIGHT HAND HINGING REQUIRED AND EXISTING WALL THICKNESS.

CMI SAFE CO. ABN 35 664 874 766
 Head Office: 244 West Street, Carlton NSW 2218
 Phone: (02) 9547 1488 Fax: (02) 9547 2104
 Website: www.cmisafe.com.au
 Email: sales@cmisafe.com.au

AVAILABLE FROM



MADE IN AUSTRALIA