

# COMMANDER STRONGROOM DOOR AND FRAME

TORCH AND DRILL RESISTING

EQUIVALENT TO



USA: UL TRTL-30 x 60



EU: ABIS GRADE 5



FOR THE  
**SECURITY  
CONSCIOUS**



■ MODEL  
**CRD4**



**MADE IN AUSTRALIA**



# COMMANDER STRONGROOM DOOR AND FRAME

TORCH AND DRILL RESISTING

EQUIVALENT TO USA: UL TRTL-30 x 60 EU: ABIS GRADE 5

**ALL CMI SAFES COME WITH A FIVE YEAR WARRANTY, EXCLUDING FREIGHT AND TRAVELLING, WITH A 24 MONTH WARRANTY ON LOCKS.**

## FEATURES

- Glass activated relocking devices are provided within the door as standard.
- Each lock can be used independently from the other.
- Any chosen electronic or duress alarm system can be added to the door if required.
- Overall door thickness of 180mm including a slab section of 100mm combining a lamination of alloy and refractory material to resist oxy acetylene and drill attack.
- Emergency internal release mechanism fitted as standard.
- **LOCKING** - Available in
  - Dial combination
  - Key locking
  - Digital

## INSURANCE COVER

Risk rated at **\$250,000**

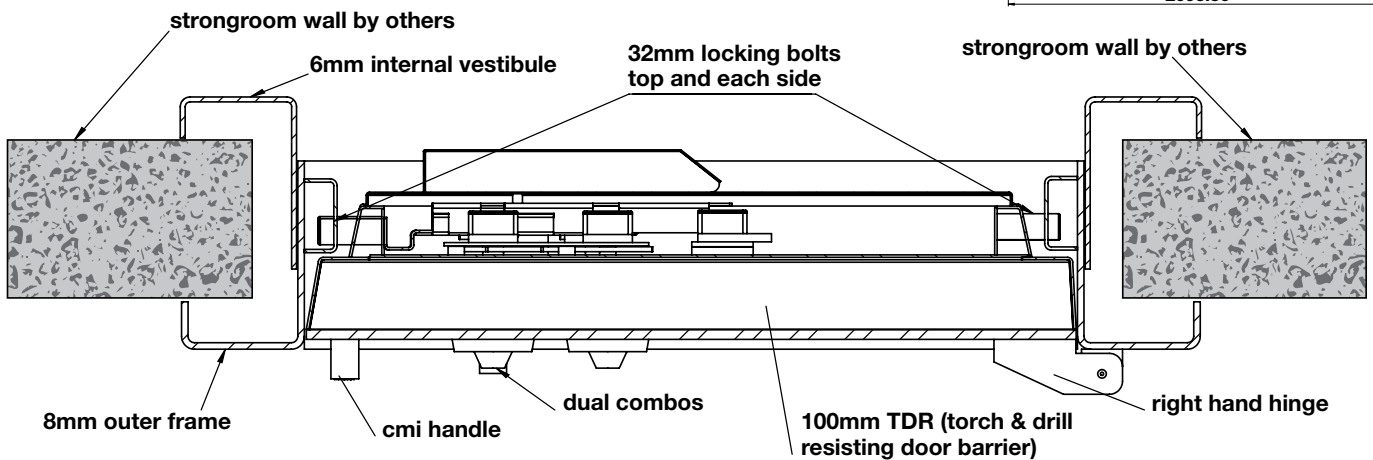
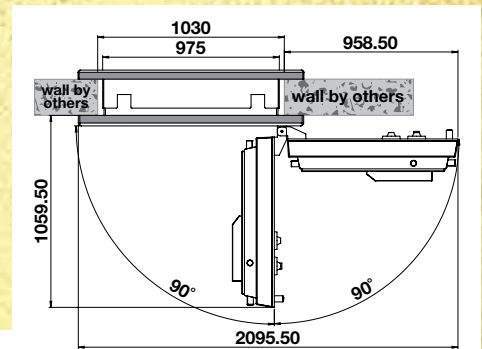
The COMMANDER door is designed to resist:

- **Oxy-Acetylene attack**
- **Drills and abrasive grinders**
- **Explosives and force**
- **Pneumatic and hydraulic tools**

**RESISTANT TO**  
 • PNEUMATIC TOOLS • HYDRAULIC TOOLS  
 • FORCE • EXPLOSIVES • OXY-ACETYLENE  
 • CUTTING INSTRUMENTS



**COMMANDER STRONGROOM DOOR & FRAME DESIGNED TO BE FIRE RESISTING**



MODEL	PRICE INCL. GST	CLEAR DOOR OPENING		CLEAR MASONRY OPENING REQUIRED		WEIGHT	DELIVERY & INSTALLATION LEVEL ACCESS INCL. GST
		HEIGHT	WIDTH	HEIGHT	WIDTH		
<b>CRD4</b>	<b>\$</b>	<b>1980 mm</b>	<b>860 mm</b>	<b>2080 mm</b>	<b>1030 mm</b>	<b>1315kg</b>	<b>\$</b>

**WHEN ORDERING PLEASE STATE IF LEFT OR RIGHT HAND HINGING REQUIRED AND VAULT WALL THICKNESS.**

## CMI SAFE CO.

ABN 35 664 874 766

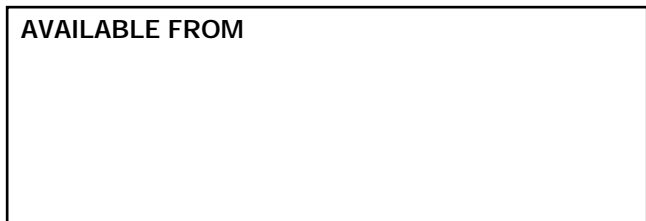
Head Office: 244 West Street, Carlton NSW 2218

Phone: (02) 9547 1488 Fax: (02) 9547 2104

Website: [www.cmisafe.com.au](http://www.cmisafe.com.au)

Email: [sales@cmisafe.com.au](mailto:sales@cmisafe.com.au)

AVAILABLE FROM



**MADE IN AUSTRALIA**